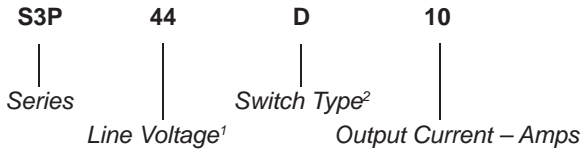


Part Number	Description
S3P44D10	10A, 440 Vac

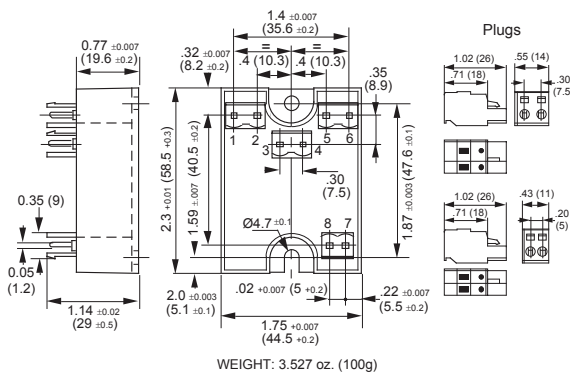
Part Number Explanation



NOTES

- 1) Line Voltage (maximum) 44 = 440 Vac
- 2) Switch Type: D = Zero-cross turn-on

MECHANICAL SPECIFICATION



FEATURES/BENEFITS

- Industry-standard hockey-puck package
- Spring connectors
- Three relays in a single package
- Zero-cross and random turn-on options
- Common control for all three relays

DESCRIPTION

The Series S3P relays are made up of three separate relays controlled by a common DC voltage control. They are designed to control 10A AC loads such as resistors and small motors on a mains from 12 to 440 Vac, either single- or three-phase. They are well suited for applications requiring compact size and low cost.

APPLICATIONS

- Heaters
- Motors
- Lighting

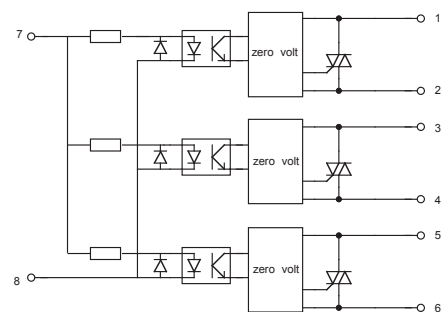
APPROVALS

UL is pending.

INPUT (CONTROL) SPECIFICATION

	Min	Max	Units
Control Range	4	30	Vdc
Input Current Range	3	90	mA
Must Turn-Off Voltage		0.8	V
Input Resistance (Typical)		330	Ohms
Reverse Voltage		30	V

BLOCK DIAGRAM



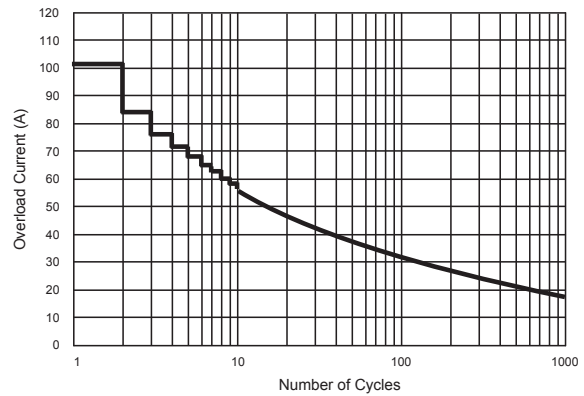
OUTPUT (LOAD) SPECIFICATION

	Min	Max	Units
Operating Range	12	440	Vrms
Peak Voltage		850	Vpeak
Load Current Range	.05	10	Arms
Maximum Surge Current Rating (Non-Repetitive) (See Figure 5)		120	Apeak
On-State Voltage Drop		1.6	V
Synchronizing Level		±10	V
Off-State Leakage Current		0.3	mArms
Turn-On Time		8.3	ms
Turn-Off Time		8.3	ms
Off-State dv/dt		500	V/μs
Maximum di/dt (Non-Repetitive)		20	A/μs
Operating Frequency	10	440	Hz
I ² T for matching fuse (<8.3ms)		72	A ² S
Junction-Case Thermal Resistance		2.1	°C/W
Junction-ambient Thermal Resistance		11.2	°C/W

ENVIRONMENTAL SPECIFICATION

	Min	Max	Units
Operating Temperature	-40	100	°C
Storage Temperature	-40	100	°C
Input-Output Isolation	4000		Vrms
Output-Case Isolation	2500		Vrms

SURGE CURRENT



THERMAL CHARACTERISTICS

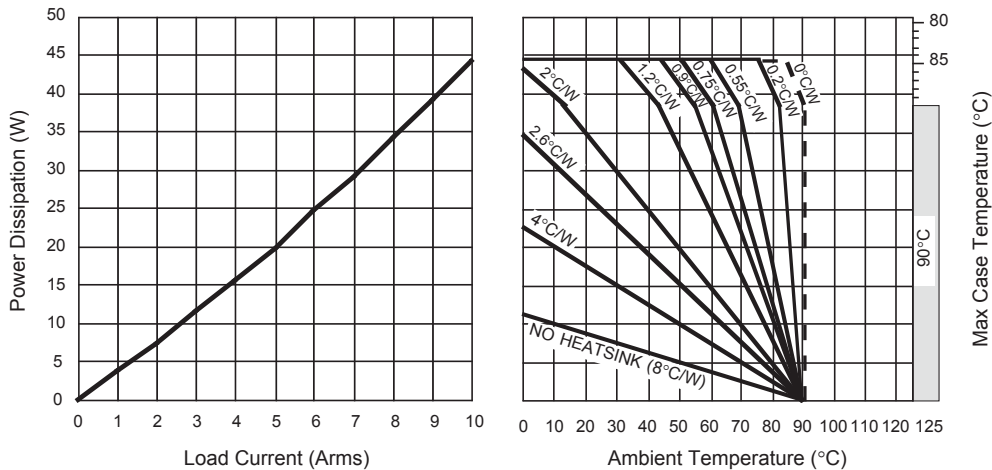


Figure 4 — Current derating curves

Notes:

1. Electrical specifications at 25°C unless otherwise specified.
2. An external MOV is recommended for transient voltage protection.
3. For additional/custom options, contact factory.